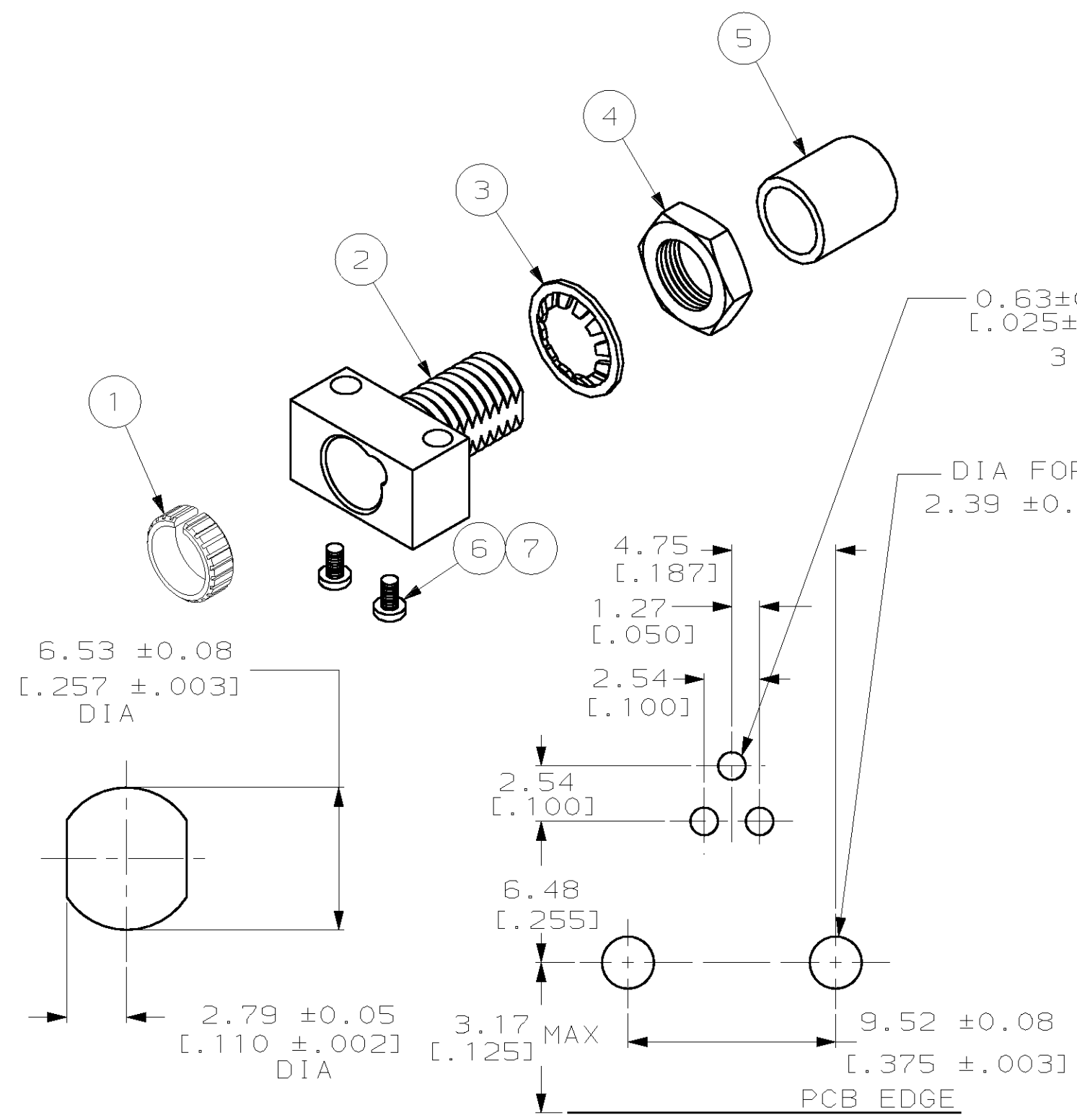


THIS DRAWING IS UNPUBLISHED. RELEASED FOR PUBLICATION, 19...  
 © COPYRIGHT 19 BY AMP INCORPORATED. ALL RIGHTS RESERVED.

LOC	DIST	REVISIONS			
P	LTR	DESCRIPTION	DATE	DWN	APVD
CE	16	K	REV PER 0A00-0065-03	6-5-03	DE SB



1. MAX RECOMMENDED PANEL THICKNESS: 1.57 [.062]
2. DIMENSIONS IN [ ] ARE IN INCHES
3. ACCEPTS ACTIVE DEVICES: TO-18 TYPE, TO-46 TYPE, TO-52 TYPE, AND HONEYWELL LOW-COST PLASTIC SWEETSPOT
- △ 4 BULK PACKAGED

SUGGESTED CLEARANCE HOLE

SUGGESTED MOUNTING PATTERN

OBSOLETE	OBSOLETE	OBSOLETE	OBSOLETE	OBSOLETE	△ 4	△ 4	△ 4		
-	-	-	-	2	-	-	2-22798-5		
-	-	-	-	-	2	2	2-22798-2		
1	1	1	1	1	1	1	1-26538-9		
-	1	1	-	1	1	1	981155-4		
-	1	1	-	1	1	1	1-22145-3		
1	1	1	1	1	1	1	502137-2		
1	1	1	1	1	1	1	501084-1		
-7	-6	-5	-4	-3	-2	-1			
QTY REQ'D PER ASSY							PART NO	DESCRIPTION	ITEM NO.

THIS DRAWING IS A CONTROLLED DOCUMENT.

DIMENSIONS: mm	TOLERANCES UNLESS OTHERWISE SPECIFIED:	DWN D.KNOWLDEN 7-13-88	<b>AMP</b> AMP Incorporated Harrisburg, PA 17105-3608
	0 PLC ±- 1 PLC ±- 2 PLC ±0.25 [.010] 3 PLC ±- 4 PLC ±- ANGLES ±-	CHK B.BRIGGS 7-14-88 APVD K.MONROE 7-14-88	
MATERIAL DEVICE MOUNT: ZINC	FINISH DEVICE MOUNT	PRODUCT SPEC -	NAME ACTIVE DEVICE MOUNT KIT, PCB MOUNT, FSMA, OPTIMATE
		APPLICATION SPEC IS 9082	SIZE A3 CAGE CODE 00779 DRAWING NO C-502136 RESTRICTED TO -
		WEIGHT -	CUSTOMER DRAWING SCALE 4:1 SHEET 1 OF 1 REV K